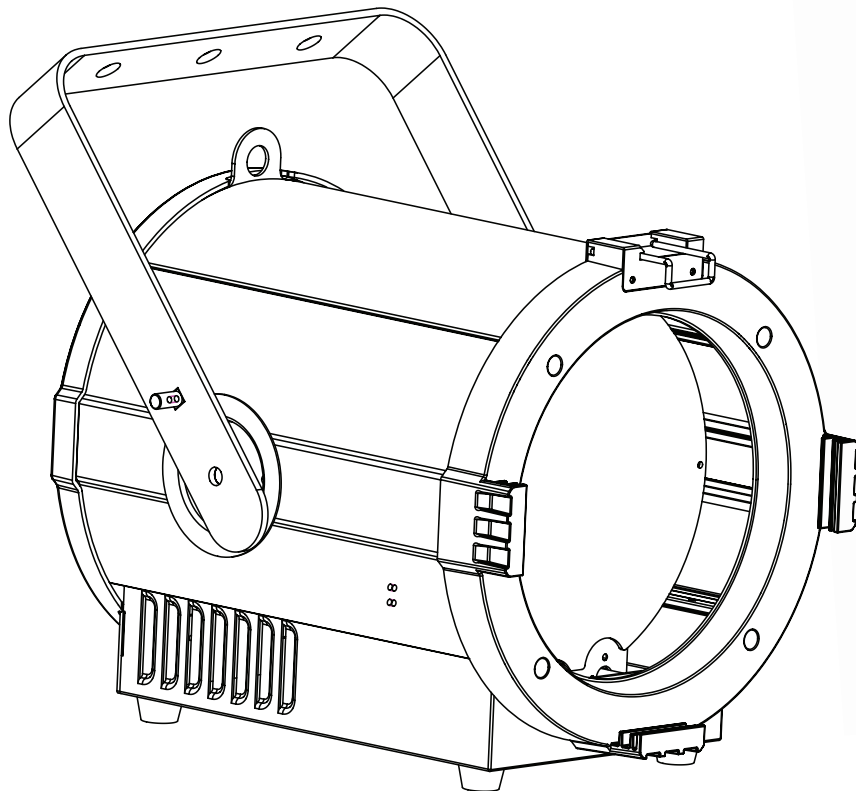




FR-200W

200W - Warm White LED fresnel with zoom



USER MANUAL

Table of contents

Caution!	3
Introduction	3
Safety instructions	3
Overview	3
Installation	4
Read 'Safety information' before installing the fixture.	4
Fastening the fixture to a flat surface	4
Mounting the fixture on a truss	5
Securing with a safety cable.....	5
DMX-512 connection/connection between fixtures	5
Power connection.....	6
Operation	6
Control Menu Map.....	6
Addressing	7
Universal DMX Control.....	7
RDM control.....	7
DMX Protocol	7
ID address selection.....	8
Fixture Cleaning	9
Fuse Replacement	9
Troubleshooting	10
The fixture does not work, no light	10
Technical specifications	10

Caution!



Be careful with your operations. With a dangerous voltage you can suffer a dangerous electric shock when touching the wires!



Avoid looking directly into the light source!

Wear protective glasses and other PPE (personal protective equipment) when working on or near

Always make sure you are connecting this product to the proper voltage in accordance with the



using it!

Unplug mains lead before opening the housing!

and the powercord from time to time.



For your own safety, please read this user manual carefully before you initial start-up.

Follow operating safety precautions and pay attention to warning signs methods and equipment on the user manual.



Warning! This symbol indicates a hot surface. Certain parts of the housing can become hot during operation. After use, wait for a cool-down period of at least 10 minutes before handling or transporting the device.



20 rating.

The ambient temperature must always be between -5° C and +45° C.

Every person involved with the installation, operation and maintenance of this device has to

- follow the instructions of this manual
- consider this manual to be part of the total product
- keep this manual for the entire service life of the product
- pass this manual on to every further owner or user of the product
- download the latest version of the user manual from the Internet

Introduction

Thank you for having chosen FR-200W. You will see you acquired a powerful and versatile device.

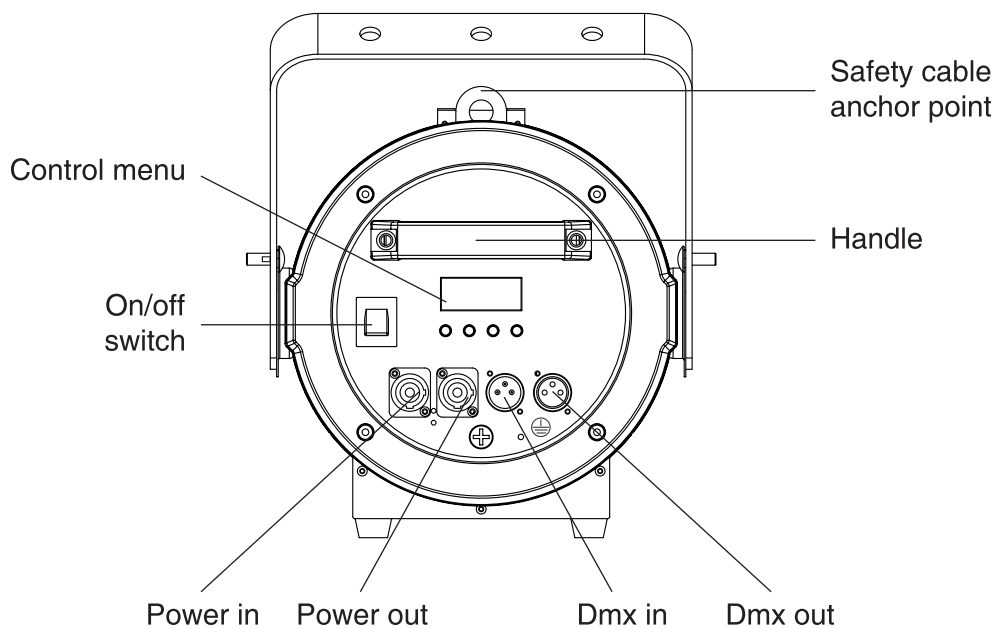
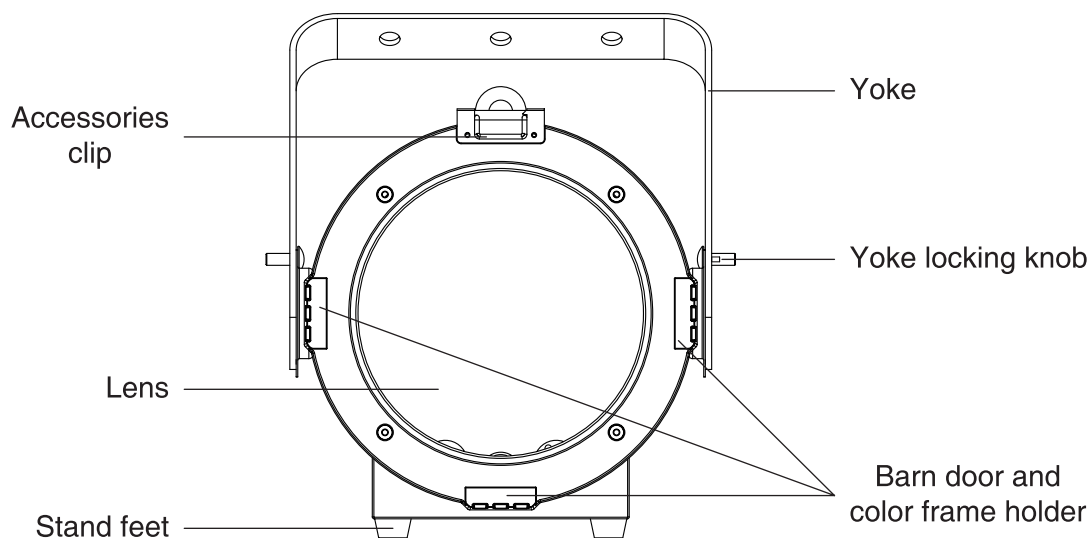
Unpack your item. Before you initial start-up, please make sure that there is no damage caused by transportation. Should there be any, consult your dealer and do not use the device.

Safety instructions

This device has left our premises in absolutely perfect condition. In order to maintain this condition and to ensure a safe operation, it is absolutely necessary for the user to follow the safety instructions and warning notes written in this user manual. Always disconnect from the mains, when the device is not in use or before cleaning it. Keep away children and amateurs from the device! There are no serviceable

dealers.

Overview



Installation

Read 'Safety information' before installing the fixture.

the primary fastening method fails.

Fastening the fixture to a flat surface

method fails.

Mounting the fixture on a truss

any other orientation, you must use a half-coupler clamp that completely encircles the truss chord.

1. to be installed on it.
2. Block access under the work area.
3. Fold the legs of the mounting bracket together and bolt a rigging clamp securely to the mounting bracket legs and be fastened with a self-locking nut.
4. securely.
- 5.

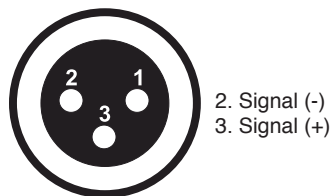
Securing with a safety cable

unsecured if it separates from the bracket.

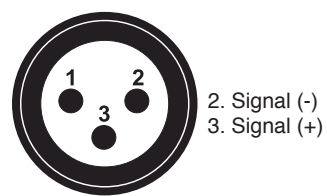
DMX-512 connection/connection between fixtures

Occupation of the XLR-connection:

DMX OUT



DMX IN



Building a serial DMX-chain:

DMX-512 connection with DMX terminator:

Caution:

Power connection

Power Requirements

The FR-200W luminaire operates on 100 to 240 volts AC (+/- 10%, auto-ranging). The luminaire contains an auto-ranging power supply.

Power linking between fixtures:


The fixture with powercon in and out socket. Connect the power out to the power in socket in the next fixture till all are connected.

Caution: maximum power linking - 8 units.

Connection with the mains:

Connect the device to the mains with the enclosed power supply cable.

The occupation of the connection cables as below:

Cable color	Connection	International
Brown	Live	L
Blue	Neutral	N
Yellow/green		

Operation

modes.

Control Menu Map

MENU	SUB MENU	OPERATION
Addr	d001-d512	
CHnL	2CH	Channel mode
	3CH	
	4CH	
	5CH	
Strb	S.01-s.20	Strobe with speed increasing
uL--	u.000-u.255	Dimmer
FL--	F.000-255	Zoom function
nodE	nod.0	Dimmer speed 0 (no delay)
	nod.1	Dimmer speed 1
	nod.2	Dimmer speed 2
	nod.3	Dimmer speed 3
	nod.4	Dimmer speed 4 (slowest speed)
Id	Id.01-Id.66	ID address setting
tEnP	-25~100	
UErn		Firmware version
rSEt	yes/no	Reset
pnnF	(1.2~24.0)F	

Addressing

All fixtures should be given a DMX starting address when using a DMX signal, so that the correct fixture responds to the correct control signals. This digital starting address is the channel number from which the fixture starts to listen to the digital control information sent out from the DMX controller. The allocation of this starting address is achieved by setting the correct number on the display located on the base of the device.

You can set the same starting address for all fixtures or a group of fixtures, or make different address for each fixture individually.

If you set the same address, all the units will start to listen to the same control signal from the same channel number. In other words, changing the settings of one channel will affect all the fixtures simultaneously.

If you set a different address, each unit will start to listen to the channel number you have set, based on the quantity of control channels of the unit. That means changing the settings of one channel will affect only the selected fixture.

In the case of the FR-200W, which is 2/3/4/5 channels fixture. If you set, for example, the address in the 2 channel mode to channel 3, the device will use the channel 3 to 4 for control.

Universal DMX Control

This function allows you to use a universal DMX-512 controller to control the dimmer and strobe. A DMX controller allows you to create unique programs tailored to your individual needs.

RDM control

The FR-200W can communicate using RDM (Remote Device Management) in accordance with ESTA's American National Standard E1.20-2006: Entertainment Technology RDM Remote Device Management Over DMX512 Networks.

RDM is a bi-directional communications protocol for use in DMX512 control systems, it is the open standard for DMX512 device configuration and status monitoring.

The RDM protocol allows data packets to be inserted into a DMX512 data stream without affecting existing non-RDM equipment. It allows a console or dedicated RDM controller to send commands to and receive messages from specific fixtures.

With RDM function, you can set the DMX address of your fixtures remotely. This is especially useful when the device is installed in a remote area.

Each FR-200W has a factory set RDM UID (unique identification number).

DMX Protocol

2 Channels Mode	Function	Function Control
	Dimmer	
	Zoom	

3 Channels Mode	Function	Function Control
	Dimmer	

3 Channels Mode	Function	Function Control
	Strobe	
	Zoom	

4 Channels Mode	Function	Function Control
	Dimmer	
	Strobe	
	Zoom	
	Dimmer mode	
		Dimmer speed 0 (no delay)
		Dimmer speed 1
		Dimmer speed 2
		Dimmer speed 3
		Dimmer speed 4 (slowest speed)

5 Channels Mode	Function	Function Control
	Dimmer	
	Strobe	
	Zoom	
	Dimmer mode	
		Dimmer speed 0 (no delay)
		Dimmer speed 1
		Dimmer speed 2
		Dimmer speed 3
		Dimmer speed 4 (slowest speed)
	ID address setting	
		...
		...

ID address selection

all ID address locations.

DMX value	Function	DMX value	Function	DMX value	Function
000-009	ID1-ID66	212	ID23	235	ID46
010-019	ID1	213	ID24	236	ID47
020-029	ID2	214	ID25	237	
030-039	ID3	215	ID26		ID49
040-049	ID4	216	ID27	239	ID50
050-059	ID5	217		240	ID51
060-069	ID6		ID29	241	ID52
070-079	ID7	219	ID30	242	ID53
		220	ID31	243	ID54
090-099	ID9	221	ID32	244	ID55
100-109	ID10	222	ID33	245	ID56
110-119	ID11	223	ID34	246	ID57
120-129	ID12	224	ID35	247	
130-139	ID13	225	ID36		ID59
140-149	ID14	226	ID37	249	ID60
150-159	ID15	227		250	ID61
160-169	ID16		ID39	251	ID62
170-179	ID17	229	ID40	252	ID63
		230	ID41	253	ID64
190-199	ID19	231	ID42	254	ID65
200-209	ID20	232	ID43	255	ID66
210	ID21	233	ID44		
211	ID22	234	ID45		

Fixture Cleaning

cleaning on a monthly basis. Periodic cleaning will ensure longevity, and crisp output.

- 1.
2.
 - compressed air.
3. Clean the surfaces by wiping gently with a soft, clean lint-free cloth moistened with a weak detergent
 - clean, lint-free cloth or low-pressure compressed air. Remove stuck particles with an unscented tissue or cotton swab moistened with glass cleaner or distilled water.
- 4.

Fuse Replacement

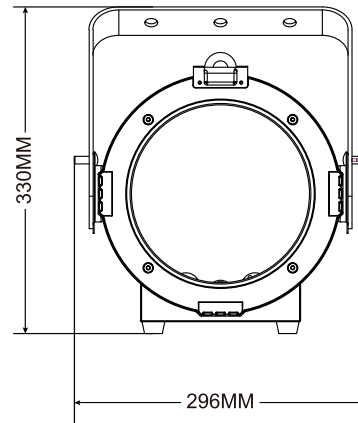
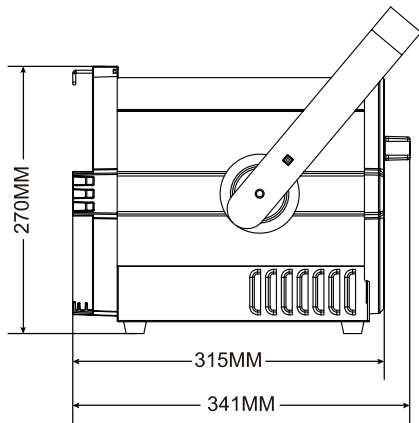
- 1.
2. rating only.
3. Reinstall the fuseholder cap before reapplying power.

Troubleshooting

Listed below are a few common problems that you may encounter, with solutions.

The fixture does not work, no light

-
-



Technical specifications

Model	FR-200W
Light source:	200 watts Warm white COB LED
LED life expectancy:	50,000 Hrs.
Color temperature:	3200 K
CRI:	96, R9>90
TLCI:	
Electronic zoom	
Zoom range:	15° to 60°
5 Dimmer curves	
Strobe	
Intelligent temperature control	
Silent operation	
Barn doors included	
Control protocols:	
Control channels:	2, 3, 4, 5 CHs
Input voltage:	
Dimensions	315 x 296 x 330mm
Net weight:	
Color:	
Housing:	
	20
Operating temperature:	