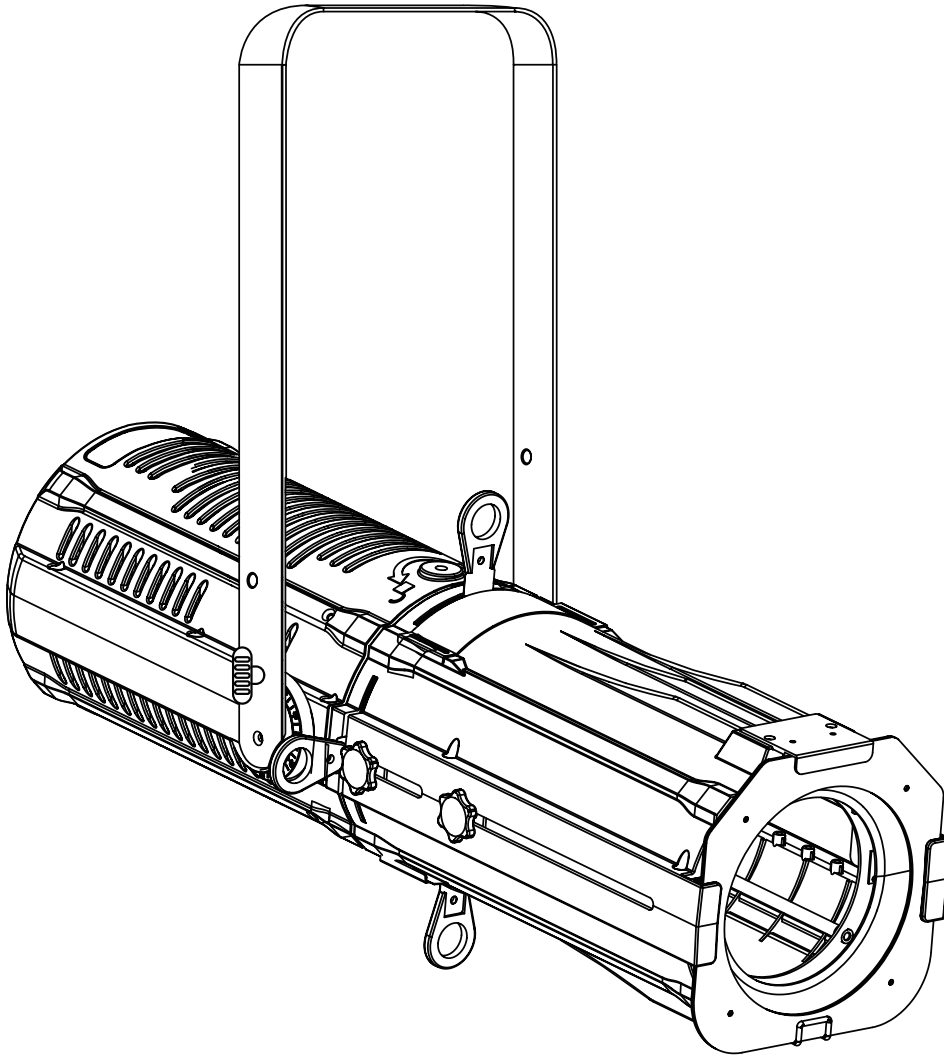


**CYCLOPS**  
LIGHTING

## PR-300W

300 watts Warm White LED Profile



**USER MANUAL**

# Table of contents

<b>Caution!</b> .....	<b>3</b>
<b>Introduction</b> .....	<b>3</b>
<b>Safety instructions</b> .....	<b>3</b>
<b>Overview</b> .....	<b>4</b>
<b>Installation</b> .....	<b>5</b>
Read ‘Safety information’ before installing the fixture. ....	<b>5</b>
Fastening the fixture to a flat surface .....	<b>5</b>
Mounting the fixture on a truss .....	<b>5</b>
Securing with a safety cable.....	<b>6</b>
DMX-512 connection/connection between fixtures .....	<b>6</b>
Art-Net Connection.....	<b>7</b>
Power connection.....	<b>7</b>
<b>Operation</b> .....	<b>8</b>
Control Menu Map.....	<b>8</b>
Control menu.....	<b>9</b>
Main Menu .....	<b>9</b>
Addressing .....	<b>10</b>
Universal DMX Control.....	<b>10</b>
RDM control.....	<b>10</b>
Art-Net protocol .....	<b>11</b>
Rotary Knob function .....	<b>11</b>
Set dimmer curves.....	<b>12</b>
Zoom .....	<b>13</b>
<b>DMX Protocol</b> .....	<b>14</b>
<b>Fixture Cleaning</b> .....	<b>14</b>
<b>Fuse Replacement</b> .....	<b>14</b>
<b>Troubleshooting</b> .....	<b>14</b>
The fixture does not work, no light .....	<b>14</b>
<b>Technical specifications</b> .....	<b>15</b>

## Caution!



Be careful with your operations. With a dangerous voltage you can suffer a dangerous electric shock when touching the wires!



Avoid looking directly into the light source!

Wear protective glasses and other PPE (personal protective equipment) when working on or near the fixture.



Always make sure you are connecting this product to the proper voltage in accordance with the specifications in this manual or on the product's specification label. Make sure it is grounded when using it!

Unplug mains lead before opening the housing!

Make sure that the power cord is never crimped or damaged by sharp edges. Check the fixture and the powercord from time to time.

Make sure to replace the fuse with another of the same type and rating.



For your own safety, please read this user manual carefully before you initial start-up.

Follow operating safety precautions and pay attention to warning signs methods and equipment on the user manual.



Warning! This symbol indicates a hot surface. Certain parts of the housing can become hot during operation. After use, wait for a cool-down period of at least 10 minutes before handling or transporting the device.



T =45°C

Indoor use only! To prevent risk of fire or shock, do not expose this product to rain or moisture. IP 20 rating.

The ambient temperature must always be between -5° C and +45° C.

Every person involved with the installation, operation and maintenance of this device has to

- be qualified
- follow the instructions of this manual
- consider this manual to be part of the total product
- keep this manual for the entire service life of the product
- pass this manual on to every further owner or user of the product
- download the latest version of the user manual from the Internet

## Introduction

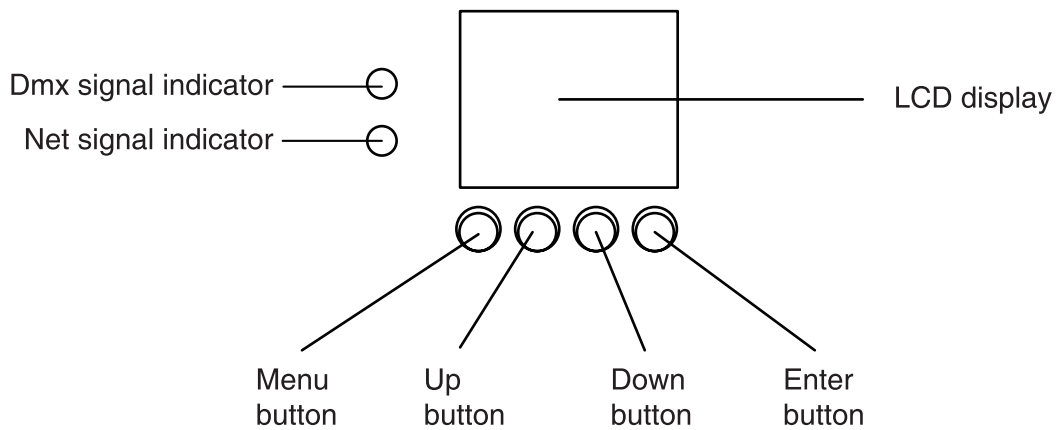
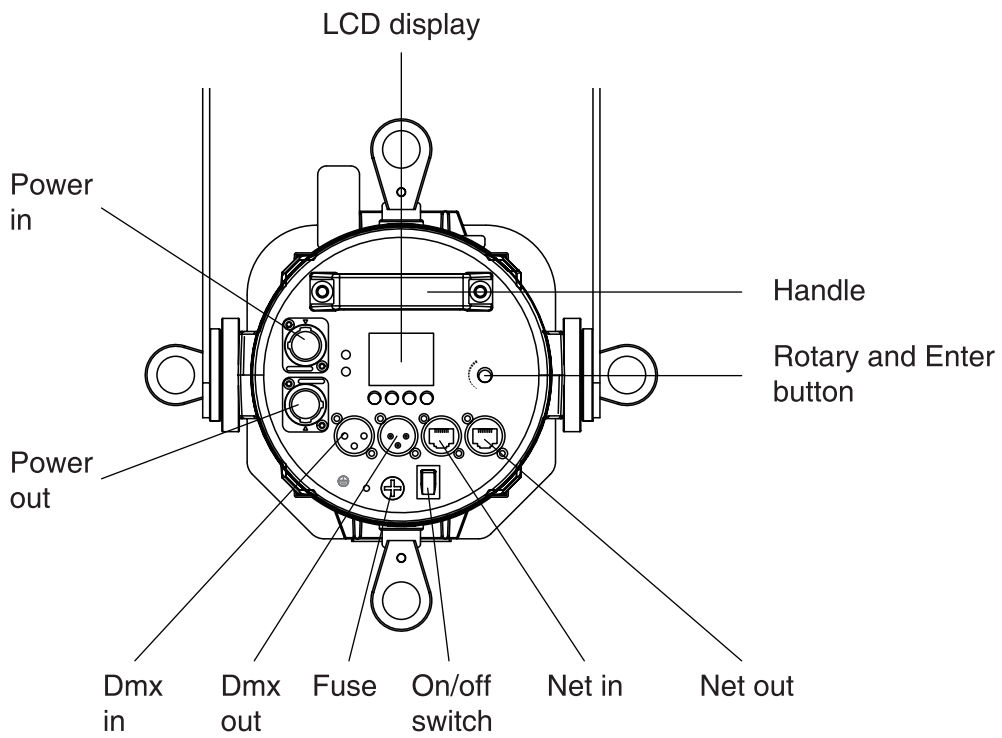
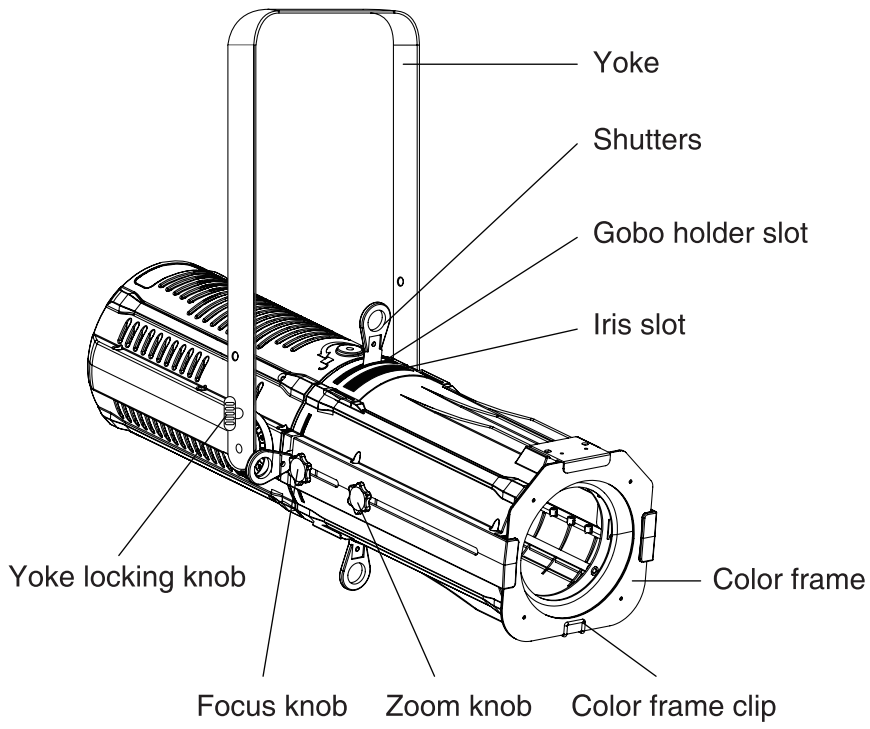
Thank you for having chosen PR-300W. You will see you acquired a powerful and versatile device.

Unpack your item. Before you initial start-up, please make sure that there is no damage caused by transportation. Should there be any, consult your dealer and do not use the device.

## Safety instructions

This device has left our premises in absolutely perfect condition. In order to maintain this condition and to ensure a safe operation, it is absolutely necessary for the user to follow the safety instructions and warning notes written in this user manual. Always disconnect from the mains, when the device is not in use or before cleaning it. Keep away children and amateurs from the device! There are no serviceable parts inside the device. Maintenance and service operations are only to be carried out by authorized dealers.

# Overview



## Installation

### Read ‘Safety information’ before installing the fixture.

The fixture is designed for indoor use only and must be used in a dry location with adequate ventilation. Ensure that none of the fixture’s ventilation slots are blocked.

Fasten the fixture to a secure structure or surface. Do not stand it on a surface or leave it where it can be moved or fall over. If you install the fixture in a location where it may cause injury or damage if it falls, secure it as directed in this user manual using a securely anchored safety cable that will hold the fixture if the primary fastening method fails.

### Fastening the fixture to a flat surface

The fixture can be fastened to a hard, fixed, flat surface that is oriented at any angle. Ensure that the surface and all fasteners used can support at least 10 times the weight of all fixtures and equipment to be installed on it.

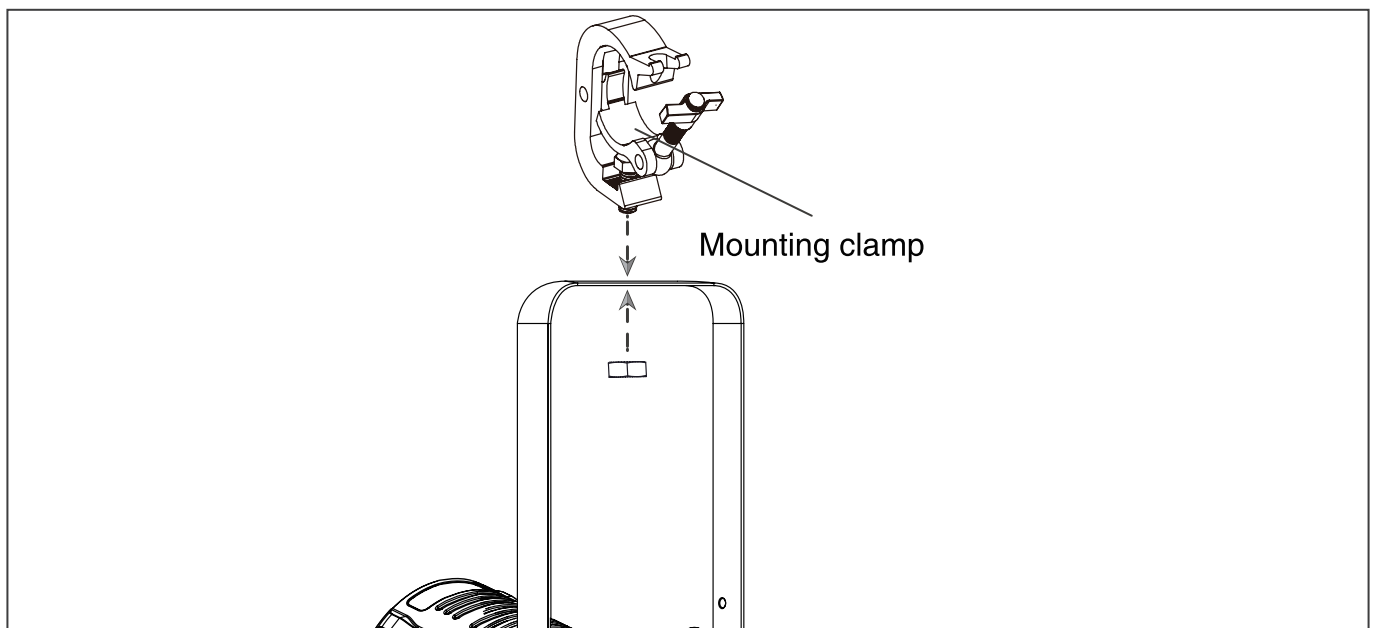
Fasten the fixture securely. Do not stand it on a surface or leave it where it can be moved or fall over. If you install the fixture in a location where it may cause injury or damage if it falls, secure it as directed below with a securely anchored safety cable that will hold the fixture if the primary fastening method fails.

### Mounting the fixture on a truss

The fixture can be clamped to a truss or similar rigging structure in any orientation. When installing the fixture hanging vertically down, you can use an open-type clamp such as a G-clamp. When installing in any other orientation, you must use a half-coupler clamp that completely encircles the truss chord.

To clamp the fixture to a truss:

1. Check that the rigging structure can support at least 10 times the weight of all fixtures and equipment to be installed on it.
2. Block access under the work area.
3. Fold the legs of the mounting bracket together and bolt a rigging clamp securely to the mounting bracket. The bolt used must be M10, grade 8.8 steel minimum. It must pass through both mounting bracket legs and be fastened with a self-locking nut.
4. Working from a stable platform, hang the fixture with its clamp on the truss and fasten the clamp securely.
5. Secure the fixture with a safety cable as directed below.

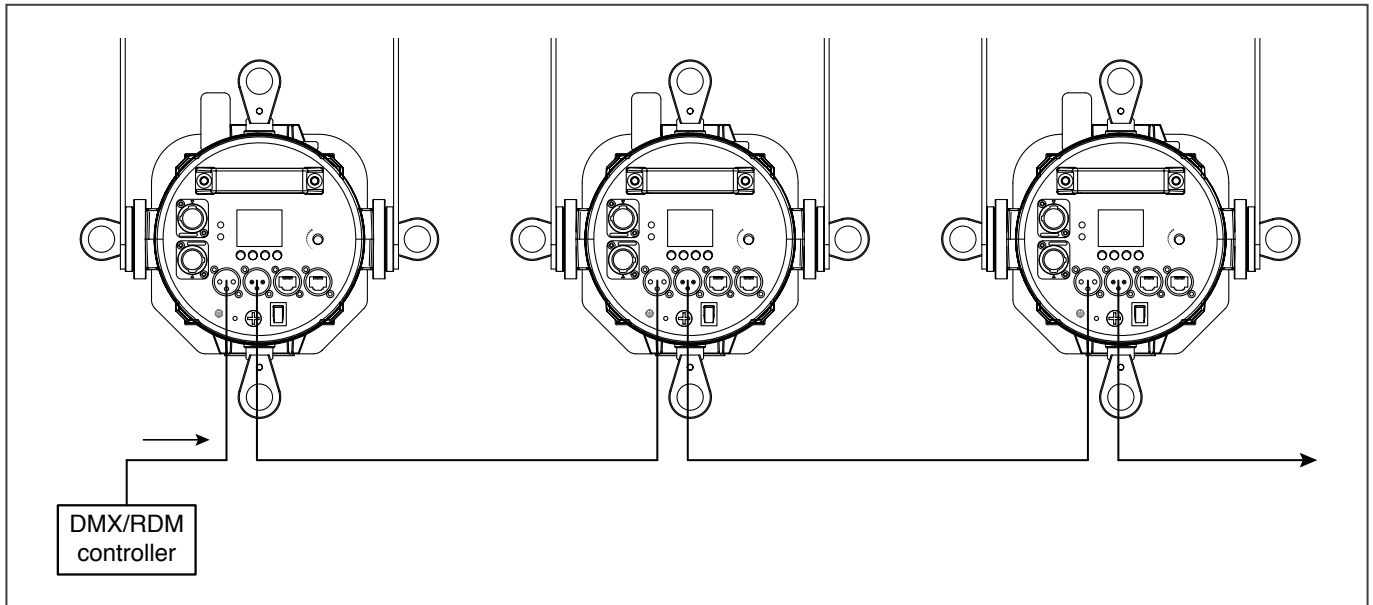


## Securing with a safety cable

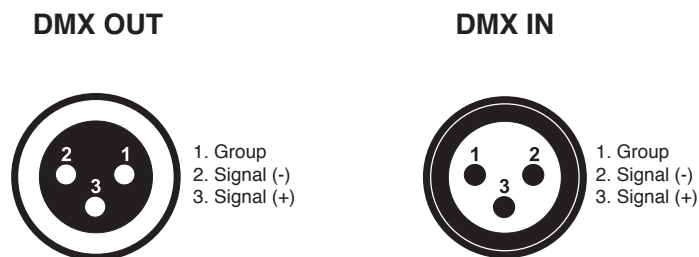
Secure the fixture with a safety cable (or other secondary attachment) that is approved for the weight of the fixture so that the safety cable will hold the fixture if a primary attachment fails.

Loop the safety cable through the eyebolt in the back of the fixture and around a secure anchoring point. Do not loop the safety cable around the fixture's mounting bracket only, as this will leave the fixture unsecured if it separates from the bracket.

## DMX-512 connection/connection between fixtures



## Occupation of the XLR-connection:



If you are using controllers with this occupation, you can connect the DMX-output of the controller directly with the DMX-input of the first fixture in the DMX-chain. If you wish to connect DMX-controllers with other XLR-outputs, you need to use adapter-cables.

## Building a serial DMX-chain:

Connect the DMX-output of the first fixture in the DMX-chain with the DMX-input of the next fixture. Always connect one output with the input of the next fixture until all fixtures are connected.

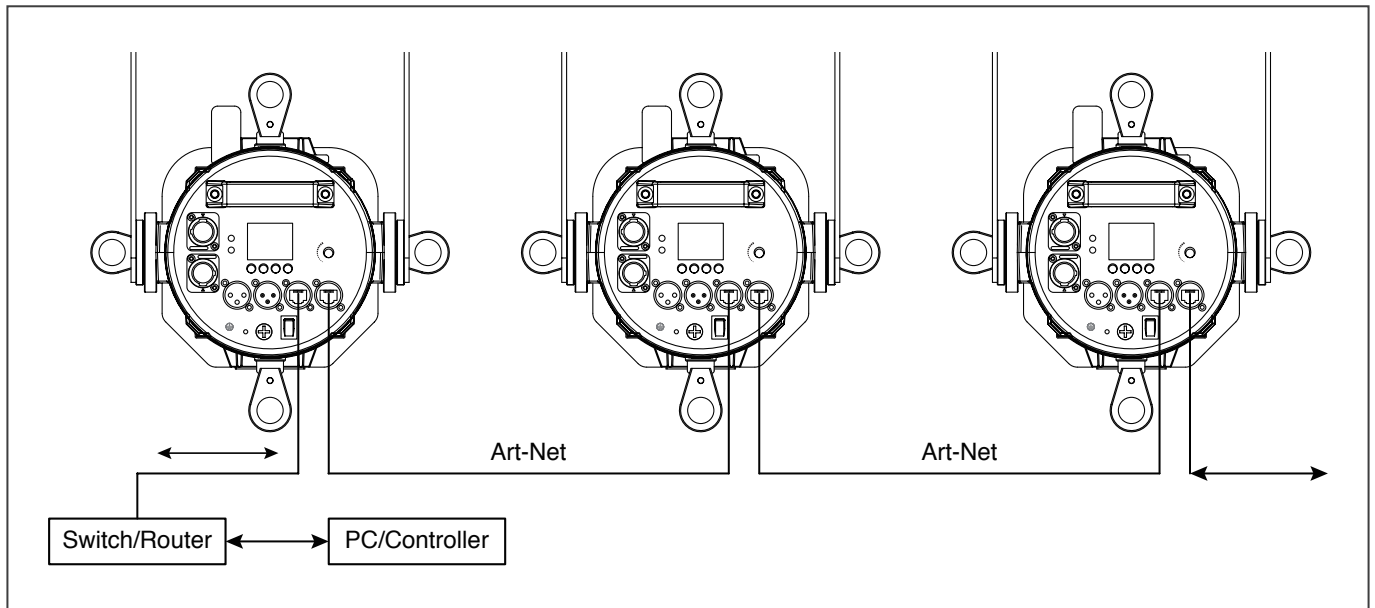
## DMX-512 connection with DMX terminator:

For installations where the DMX cable has to run a long distance or is in an electrically noisy environment, such as in a discotheque, it is recommended to use a DMX terminator. This helps in preventing corruption of the digital control signal by electrical noise. The DMX terminator is simply an XLR plug with a 120 resistor connected between pins 2 and 3, which is then plugged into the output XLR socket of the last fixture in the chain.

**Caution:** At the last fixture, the DMX-cable has to be terminated with a terminator. Solder a 120  $\Omega$  resistor between Signal (-) and Signal (+) into a 3-pin XLR-plug and plug it in the DMX-output of the last fixture.

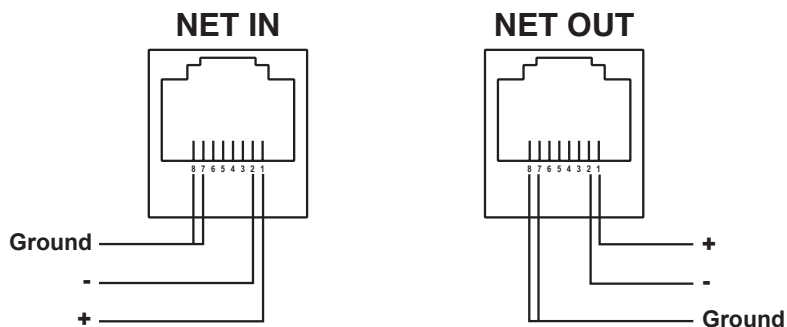
## Art-Net Connection

Connect the Ethernet inputs of all fixtures with the Ethernet network.



### Occupation of the RJ45-connection:

PR-300W installs two RJ45 connectors for DMX data transmission. Pin 1 is for data +, Pin 2 for data -, Pin 7 & 8 for earthing.



## Power connection

### Power Requirements

The PR-300W luminaire operates on 100 to 240 volts AC (+/- 10%, auto-ranging). The luminaire contains an auto-ranging power supply.

### Power linking between fixtures:

The fixture with powercon in and out socket. Connect the power out to the power in socket in the next fixture till all are connected.

**Caution:** maximum power linking - 6 units.

### Connection with the mains:

Connect the device to the mains with the enclosed power supply cable.

The occupation of the connection cables as below:

Cable color	Connection	International
Brown	Live	L
Blue	Neutral	N
Yellow/green	Earth(Ground)	⊕

## Operation

The PR-300W can operate in three different modes. In each mode you can run the fixture as a stand alone fixture or in a master/slave configuration. This next section will detail the differences in the operating modes.

### Control Menu Map

Default setting in **bold**.

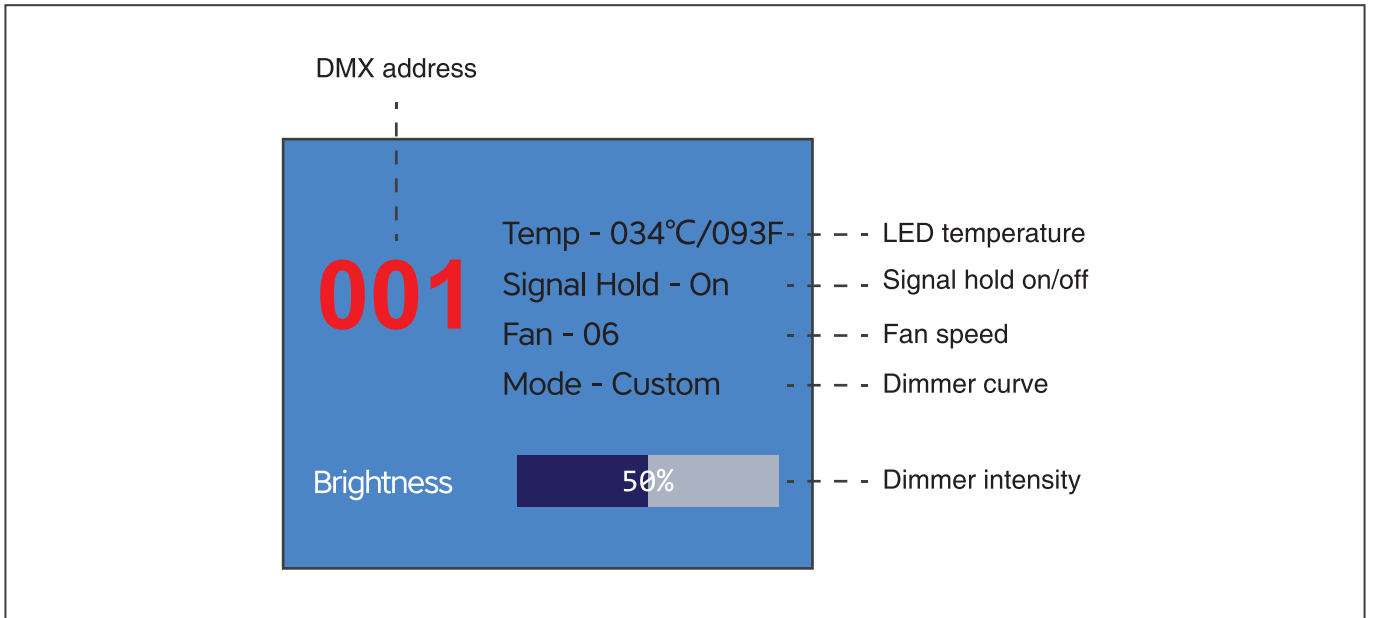
MAIN MENU	LEVEL 1	LEVEL 3	LEVEL 3	FUNCTION INSTRUCTION	
DMX	001-512			DMX address setting	
Network	DHCP			DHCP(Dynamic Host Configuration Protocol) mode	
	Manual	IP address	xxx.xxx.xxx.xxx	Fixtures' IP address (assigned via DHCP, if active)	
		Net Mask		255.0.0	Net Mask for class A IP address
				255.255.0.0	Net Mask for class B IP address
	255.255.255.0		Net Mask for class C IP address		
Mode	DMX	1/2/3CH		DMX channel mode	
	ArtNet	Net	000-127	Set Art-Net net	
		SubNet	000-015	Set Art-Net subnet in Art-Net net	
		Universe	000-015	Set Art-Net universe in Art-Net subnet	
		Channel	1/2/3CH	Art-Net channel mode	
	Auto	Program	001-008	Preset programs	
		Speed	001-009	Programs speed	
	Manual	Brightness	000-255	Dimmer 0-100%	
		Strobe	000-255	Strobe with speed increasing	
Dimmer	Curve	0.3-3.0		Dimmer curves adjustment	
	Mode	<b>Standard</b>		Dimmer mode, Standard	
		Stage		Dimmer mode, Stage	
		TV		Dimmer mode, TV	
		Architecture		Dimmer mode, Architecture	
		Theatre		Dimmer mode, Theatre	
		Custom	Fade in (150 ms~2230 ms) Fade out (150 ms~2230 ms)	Custom dimmer curve	
Advance	Authorization	<b>On/Off</b>		Advanced settings/calibration( <b>Only qualified technicians should perform this function. Inquire your local dealer for password.</b> )	



	Signal Priority	<b>DMX</b>		DMX/Art-Net signal priority setting
		ArtNet		
	Signal Hold	<b>On/Off</b>		Run if signal cut
	RDM	<b>On/Off</b>		RDM function on/off
	Screen Timeout	30S		Display shut off time
	Never			
	Screen Brightness	10-100%		Display brightness
Reset	Yes/No			System reset
Reverse	Yes/No			Display reverse 180 degree

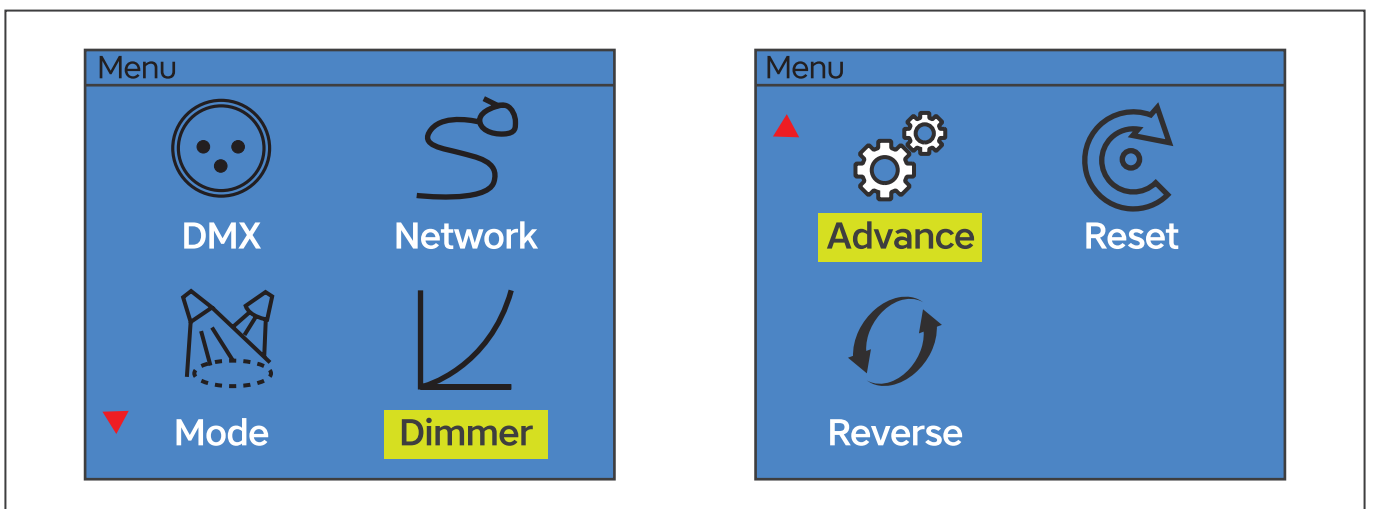
### Control menu

The information menu will appear after the fixture is switched on. In this menu, the following status is displayed:



### Main Menu

Press the **MENU** button to enter the Main Menu interface.

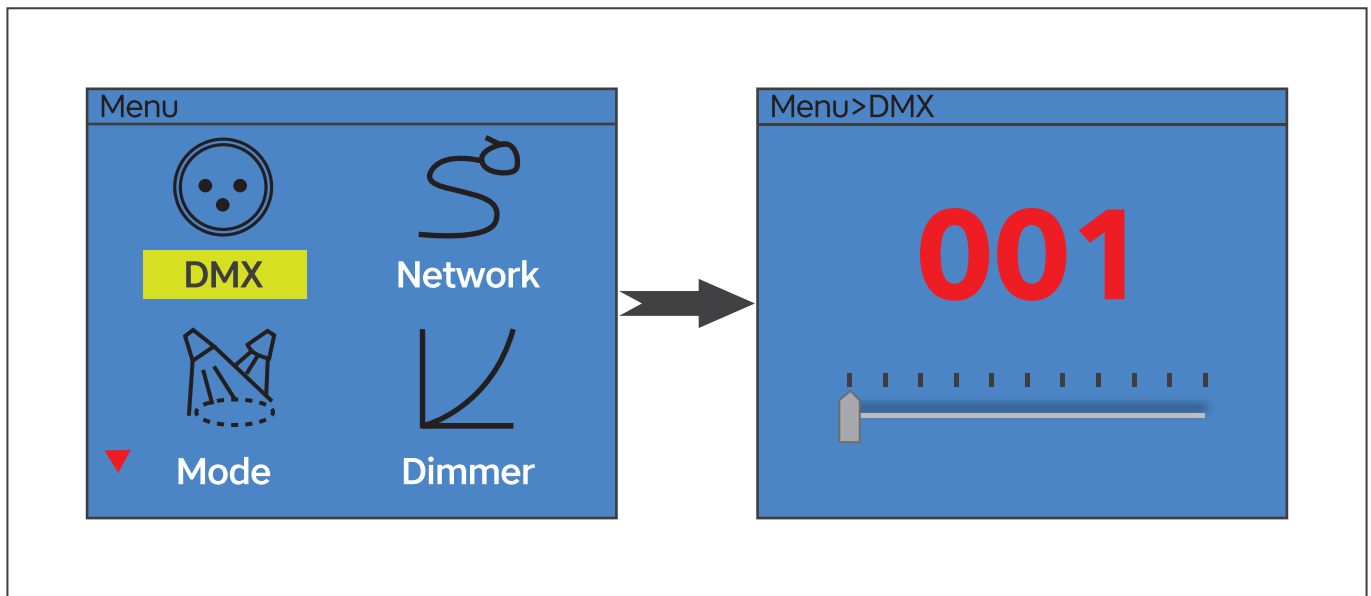


### Addressing

All fixtures should be given a DMX starting address when using a DMX signal, so that the correct fixture responds to the correct control signals. This digital starting address is the channel number from which the fixture starts to listen to the digital control information sent out from the DMX controller. The allocation of this starting address is achieved by setting the correct number on the display located on the base of the device.

You can set the same starting address for all fixtures or a group of fixtures, or make different address for each fixture individually.

If you set the same address, all the units will start to listen to the same control signal from the same channel number. In other words, changing the settings of one channel will affect all the fixtures simultaneously.



If you set a different address, each unit will start to listen to the channel number you have set, based on the quantity of control channels of the unit. That means changing the settings of one channel will affect only the selected fixture.

In the case of the PR-300W, which is 1/2/3 channels fixture. If you set, for example, the address in the 1 channel mode to channel 2, the device will use the channel 2 for control.

**Note:** After switching on, the device will automatically detect whether DMX 512 data is received or not. If there is data received at the DMX input, you will see the DMX indicator light in green.

### Universal DMX Control

This function allows you to use a universal DMX-512 controller to control the dimmer and strobe. A DMX controller allows you to create unique programs tailored to your individual needs.

### RDM control

The PR-300W can communicate using RDM (Remote Device Management) in accordance with ESTA's American National Standard E1.20-2006: Entertainment Technology RDM Remote Device Management Over DMX512 Networks.

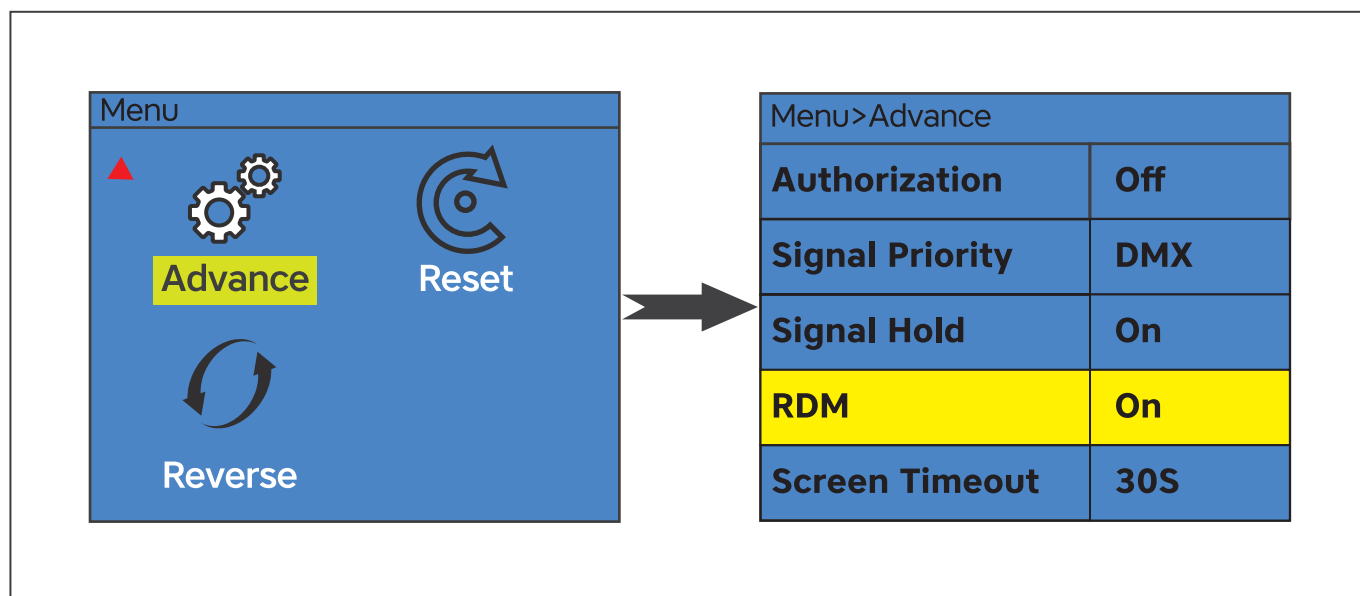
RDM is a bi-directional communications protocol for use in DMX512 control systems, it is the open standard for DMX512 device configuration and status monitoring.

The RDM protocol allows data packets to be inserted into a DMX512 data stream without affecting existing non-RDM equipment. It allows a console or dedicated RDM controller to send commands to and receive messages from specific fixtures.

With RDM function, you can set the DMX address of your fixtures remotely. This is especially useful when the device is installed in a remote area.

Each PR-300W has a factory set RDM UID (unique identification number).

**Note:** Before operation, enable RDM function in Advanced settings.



### Art-Net protocol

The fixtures on a data link are connected to the Ethernet with Art-Net™ communication protocol. The control software running on your PC (or light console) has to support Art-Net protocol.

Art-Net™ communication protocol is a 10 Base T Ethernet protocol based on the TCP/IP. Its purpose is to allow transfer of large amounts of DMX 512 data over a wide area using standard network technology.

Art-Net™ designed by and copyright Artistic Licence Holdings Ltd.

For more detail explanation of Art-Net protocol, please referring to: <https://artisticlicence.com/art-net-4/>

### IP Address

The Art-Net protocol can operate on either a DHCP managed address scheme or using static addresses.

### Net

A group of 16 consecutive Sub-Nets or 256 consecutive Universes is referred to as a net. There are 128 Nets in total.

### SubNet

A group of 16 consecutive universes is referred to as a subnet. (Not to be confused with the subnet mask).

### Universe

A single DMX512 frame of 512 channels is referred to as a Universe.

## Rotary Knob function

The knob in the rear panel of the PR-300W acts as multi function. Including rotary control of dimmer, up/down/enter function function.

### Dimmer & strobe function:

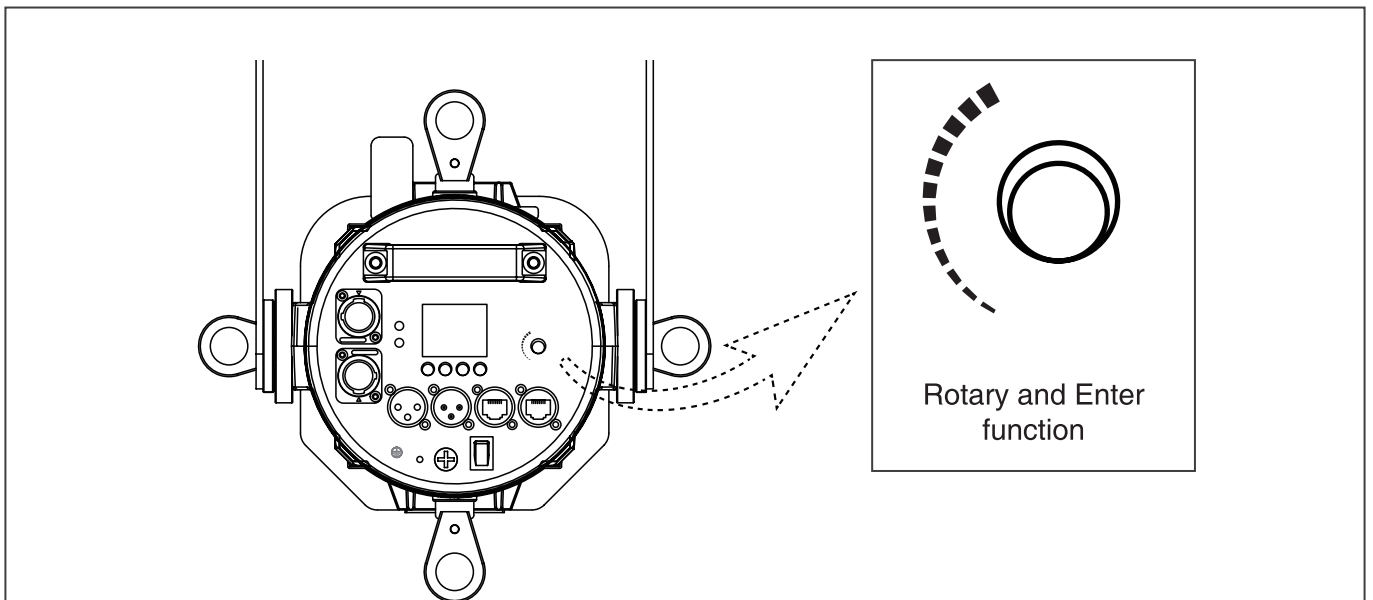
1. Press the **MENU** button to enter the main menu.
2. Press the **UP** or **DOWN** button to select **Mode** menu and press **ENTER**.
3. Press **DOWN** menu and select **Manual** sub menu.
4. Press **ENTER** and select **Brightness** or **Strobe** in third menu.
5. Rotate the rotary knob to control the dimmer(right stop = maximum output, left stop = zero output), or strobe(right stop = maximum strobe, left stop = no strobe).

**Note:** Rotary dimmer or strobe function works in **information Menu** and **Mode-Manual** menu.

### Up, Down, Enter function:

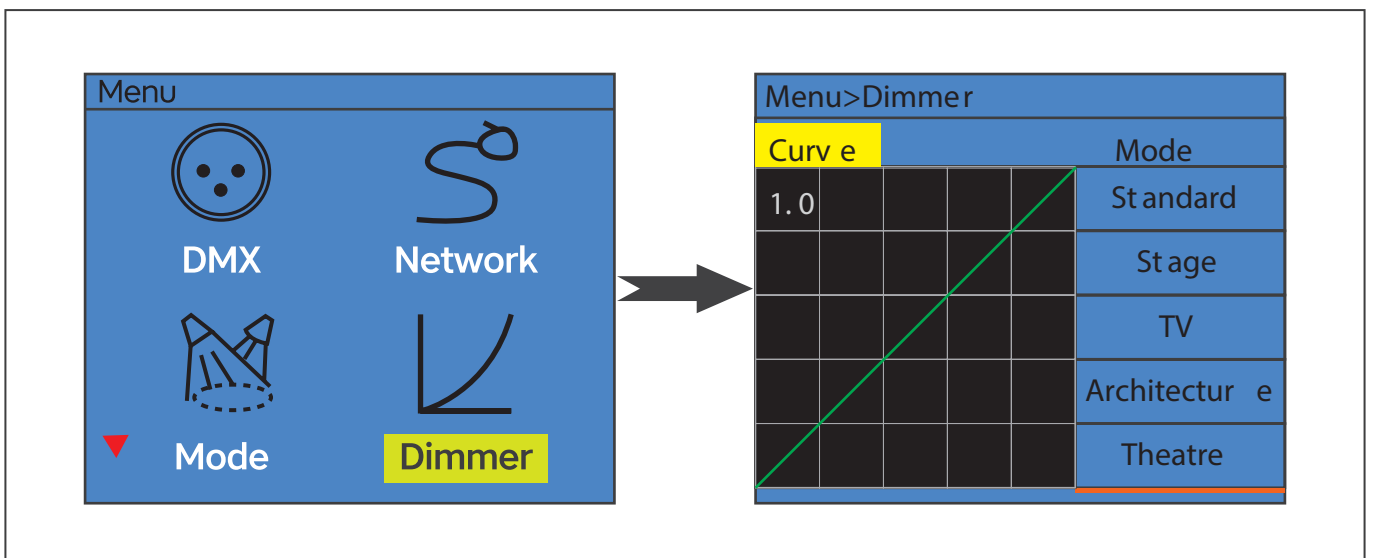
The knob can also act as up, down and enter function.

1. Press the **MENU** button to enter the main menu interface.
2. Right rotation = **Down**, left rotation = **Up**, press = **Enter** function.



## Set dimmer curves

This function allows you to select preset dimmer curves as well as custom dimmer curves

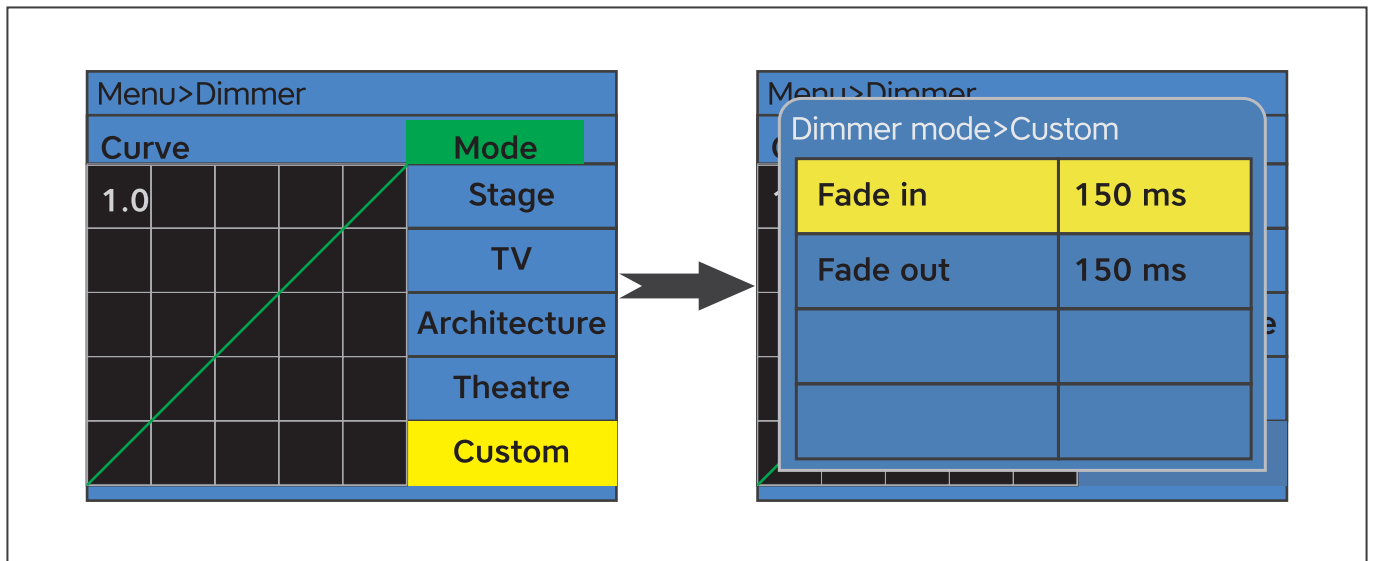


To set preset dimmer curves:

1. Press the **MENU** button to enter the main menu.
2. Press the **UP** or **DOWN** button to select **Dimmer** menu and press **ENTER**.
3. Press **DOWN** menu and select **Mode** sub menu.
4. Select desired dimmer mode.

Custom dimmer curves:

1. Press the **MENU** button to enter the main menu.
2. Press the **UP** or **DOWN** button to select **Dimmer** menu and press **ENTER**.
3. Press **DOWN** menu and select **Mode** sub menu.
4. Press the **UP** or **DOWN** button to select **Custom** menu and press **ENTER**.
5. Adjust fade in and fade out time to customize your dimmer curves. Time vary from 150 ms to 2230 ms.



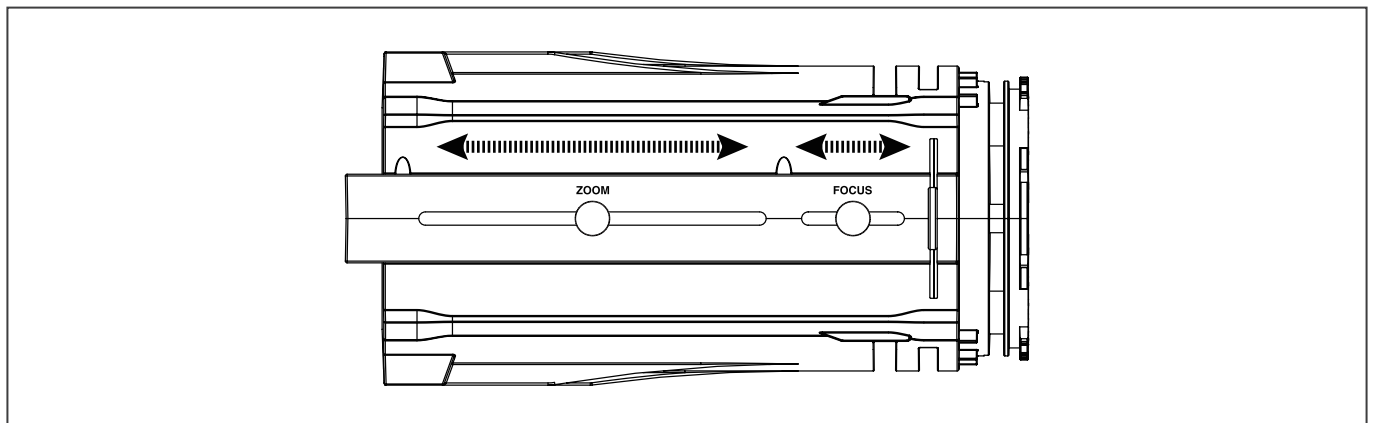
### Zoom

This function allows you to adjust the beam width of the fixture.

Step 1: Loosen the zoom buttons on the side of the device.

Step 2: Adjust the zoom by sliding the back lenshousing forward or backward.

Step 3: Tighten the zoom buttons.



## DMX Protocol

1 Channel Mode	Function	Function Control
CH1	Dimmer	000-255: 0-100% dimmer

2 Channels Mode	Function	Function Control
CH1	Dimmer	000-255: 0-100% dimmer
CH2	Strobe	000-255: Strobe with speed increasing

3 Channels Mode	Function	Function Control
CH1	Dimmer	000-255: 0-100% dimmer
CH2	Dimmer fine	000-255: 16 bit dimmer
CH3	Strobe	000-255: Strobe with speed increasing

## Fixture Cleaning

Due to fog residue, smoke, and dust cleaning the internal and external optical lenses and mirror should be carried out periodically to optimize light output. Cleaning frequency depends on the environment in which the fixture operates (I.e. smoke, fog residue, dust, dew). In heavy club use we recommend cleaning on a monthly basis. Periodic cleaning will ensure longevity, and crisp output.

To clean the fixture:

1. Disconnect the fixture from power and allow it to cool for at least 10 minutes.
2. Vacuum or gently blow away dust and loose particles from the outside of the fixture with low-pressure compressed air.
3. Clean the surfaces by wiping gently with a soft, clean lint-free cloth moistened with a weak detergent solution. Do not rub glass surfaces hard: lift particles off with a soft repeated press. Dry with a soft, clean, lint-free cloth or low-pressure compressed air. Remove stuck particles with an unscented tissue or cotton swab moistened with glass cleaner or distilled water.
4. Check that the fixture is dry before reapplying power.

## Fuse Replacement

This fuse is located in a fuseholder next to the MAINS OUT socket on the connections panel.

To replace a fuse:

1. Disconnect the fixture from power and allow it to cool for at least 10 minutes.
2. Unscrew the cap of the fuseholder and remove the fuse. Replace with a fuse of the same size and rating only.
3. Reinstall the fuseholder cap before reapplying power.

## Troubleshooting

Listed below are a few common problems that you may encounter, with solutions.

### The fixture does not work, no light

- Check the connection of power and main fuse. Be sure the external fuse has not blown.
- Measure the mains voltage on the main connector.

## Technical specifications

<b>Model</b>	<b>PR-300W</b>
Light source:	300 Watts Warm white COB LED
LED Color temperature:	3200 K
LED life expectancy:	50,000 Hrs.
CRI:	97, R9 ≥ 90
TLCI:	≥98
<b>Manual zoom</b>	
Zoom range:	18° to 38° (optional 5°-10° or 9°-18°profile lenses)
Light output	29,000 Lux @ 2m @ 18°
Optional Fresnel lens adapter 25°-50° (PMMA)	
<b>5 Dimmer curves</b>	
16 bit dimmer	
<b>Strobe</b>	
Video flicker free with selectable PWM	
Intelligent temperature control	
Silent operation	
Control protocols:	Rotary, DMX, RDM, Artnet
Control channels:	1, 2, 3 CHs
Input voltage:	AC100-240V/50-60Hz
DMX connections:	3 pin XLR In/Out male and female
Power connections:	PowerCon In/Out
Dimensions:	745 x 294 x 294mm
Net weight:	8.7 Kg (including lens)
Color:	Black
IP rating:	20
Operating temperature:	-5°C/45°C

