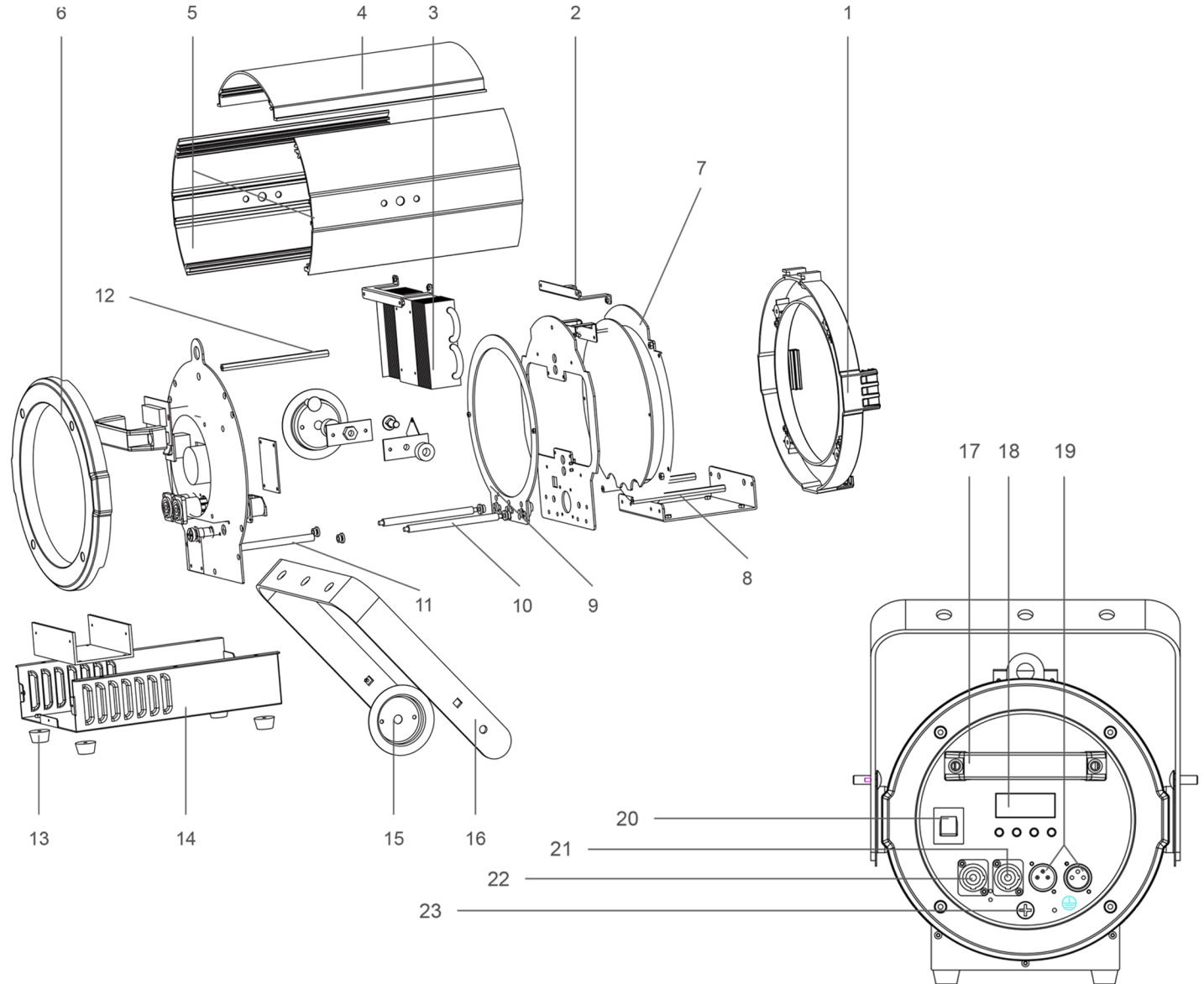


Number	Description	Qty
1	Plastic cover (Front)	1
2	Buckle for barndoor and color frame	1
3	Heat sink	1
4	Up panel, stretch aluminum	1
5	Side panel, stretch aluminum	2
6	Plastic cover (Rear)	1
7	Heat sink mount plate	1
8	Hex standoff colonnette 1, aluminum	2
9	Lens mount plate	1
10	Guidance rod	2
11	Wormscrew	1
12	Hex standoff colonnette 2, aluminum	1
13	Standing feet	4
14	Body case	1
15	Yoke lock mold	2
16	Yoke	1
17	Handle	1
18	Display PCB (white LED)	1
19	3-Pin XLR in & out connector	1
20	Switch	1
21	PowerCon out	1
22	PowerCon in	1
23	Fuse, 5A Fuse holder	1 1
*24	Power supply, CXDS304-6024P Power supply, CXDS304-3624P	1 1
*25	Fan, EEC0252B1-000C-A99 24V, 5W Fan YOYHD 12025H DC 36V 6.0W	1 1
*26	4 leaf barndoor	1
*27	Color frame	1
*28	Yoke lock knob 1	2
*29	Yoke lock knob 2	2
*30	COB LED 3200K (WW version)	1



* not listed in 2D drawing