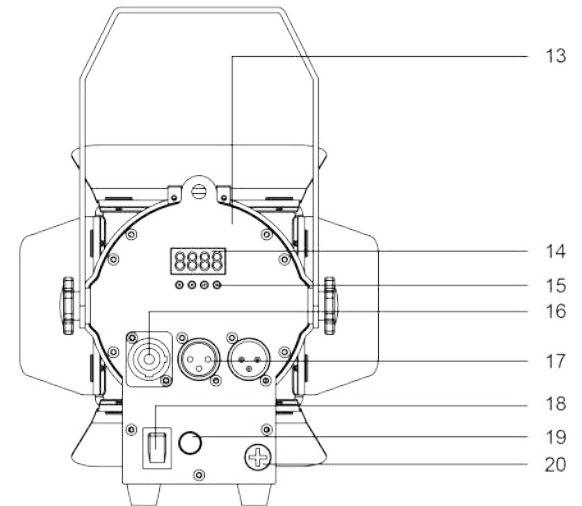
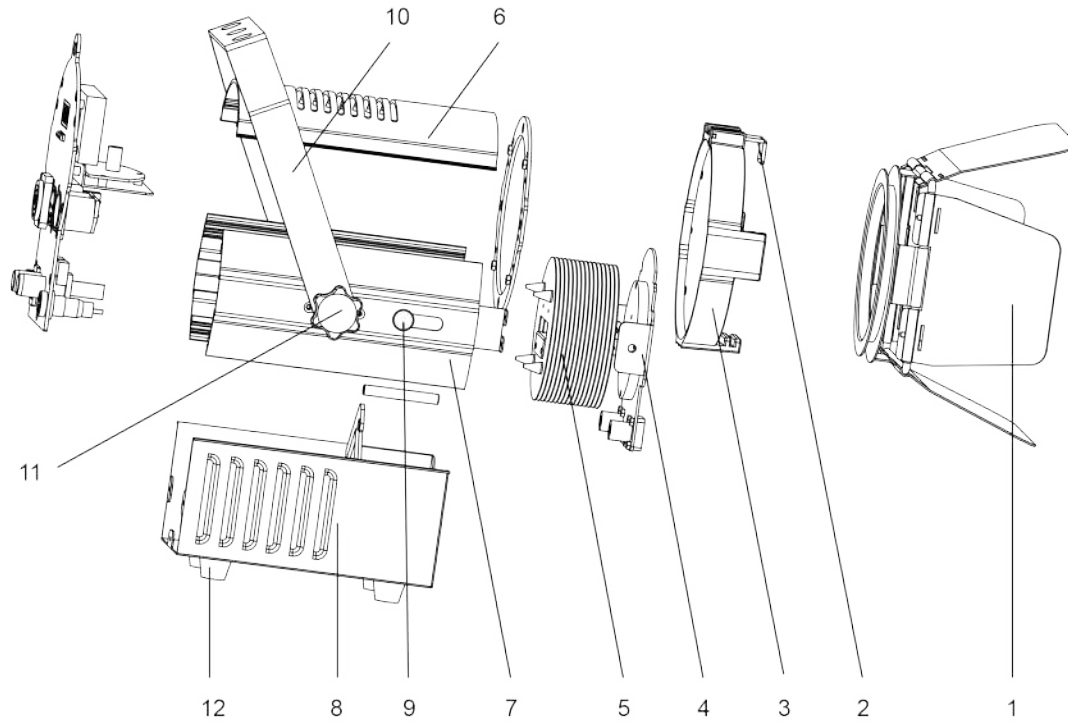


Number	Description	Qty
1	4 leaf barndoor Mini Fresnel 40/50, rotatable	1
2	Buckle for barndoor and color frame	1
3	Plastic cover, fresnel holder	1
4	Heat sink mount plate	1
5	Heat sink	1
6	Up panel, stretch aluminum	1
7	Left side panel Right side panel	1 1
8	Body case	1
9	Zoom knob	1
10	Yoke	1
11	Yoke lock knob	2
12	Standing feet	4
13	Aluminum plate	1
14	Display PCB	1
15	Key buttons	4
16	PowerCon in socket	1
17	3-Pin XLR in & out connector with PCB	1
18	Switch	1
19	Potentiometer Potentiometer Knob	1 1
20	Fuse holder Fuse, 3A	1 1
*21	COB LED 3200K (WW version)	1
*22	Power supply, XZY-U80-38	1
*23	Driver PCB	1
*24	Fan, L60T12HS-A15, 12V, 0.18A, 50x10mm	1
*25	User manual	1



* not listed in 2D drawing