



SPARKLY WASH 19 is a compact and rapid LED moving head zoom wash, powered by 19 x 15 Watts RGBW LEDs. It delivers a bright wash effect with a wide zoom range from 8 to 40 degrees along with an individual pixel control for more dynamic effects.

SOURCE Light source: 19 x 15 watts RGBW LED
LED life expectancy: 50,000 Hrs.

OPTICAL SYSTEM Beam angle: 8° to 40°
Light output: 2,500 Lux @ 10m @ 8°

DYNAMIC EFFECTS Color mixing: RGBW
Electronic variable strobe
Built-in color and dynamic macros
Pixel by Pixel control

CONTROL & PROGRAMMING Control protocols: DMX
Display: LCD screen display, reversible 180°
Control channels: 14, 25, 90 CHs

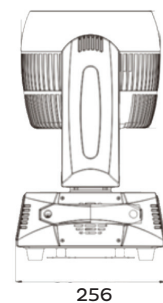
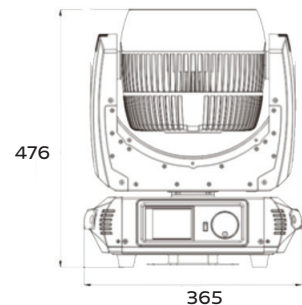
MOVEMENT Pan: 540°
Tilt: 270°

ELECTRICAL Input voltage: 100-240V/50-60Hz
Power consumption: 400 watts

CONNECTIONS DMX connections: 3 pin and 5 pin XLR In/Out male and female
Power connections: Powercon In

PHYSICAL Dimensions: 365 x 256 x 476mm
Net weight: 12 Kg
Color: Black
IP rating: 20

Dimensions



Luminous Diagram

