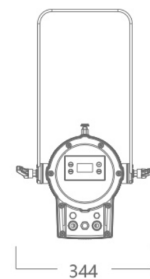
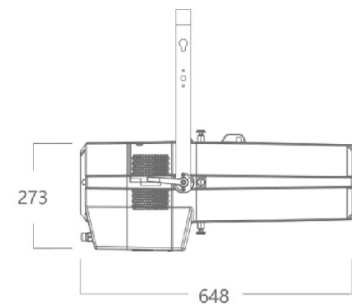




PROJEKTA 250-RGBW is a 250 watts RGBW image projector. It has a superior optical system, uniform light spot. Equipped with intelligent electronic zoom system from 15° - 30° linearly adjusted. Waterproof IP 65 rating designed all indoor and outdoor professional performance venues.

SOURCE	Light source: 250 watts RGBW
OPTICAL SYSTEM	Optics: 15° - 30° Electronic Zoom Light output: 90,000Lux @1m @15°
CONTROL & PROGRAMMING	Rotating Gobo: 1 bi-directional Rotation Focus: Motorized linear focus Display: On Board Control 0-25 Hz Strobe Control Protocols: DMX, RDM Dimmer: 0-100% 16 Bit Control Channel: Extended /6CHs, Standard/5CHs, Simple/3CHs Color Mixing: RGBW
ELECTRICAL	Input Voltage: AC100-240V Max Power: 300 W Power Factor: >0.6
CONNECTIONS	Power connections: 3m cable (input only) Data connection: 3m cable (input + output)
PHYSICAL	Dimensions 648 x 344 x 273 mm Net Weight: 15 kg Color: Off-White (Gray, Black optional) Housing: Die-cast aluminum IP Rating: IP66 Operation temperature: - 20°C~45°C

Dimensions



Luminous Diagram

