



ROD 224-AC is a seamless 24x3 watts Amber+Cool White linear wash. It is a perfectly designed fixture with a length of 610 millimeters, power supply and driver built -in lamp body, integrated power and DMX signal cable. Flexible lighting device for application in a variety of building structures.

SOURCE Light source: 24x3 watts Amber+Cool White
LED life expectancy: 50,000 Hrs
Peak Intensity: 31000 cd (15°)

OPTICAL SYSTEM Optics: 15° (25°, 30°, 60°, 15°x30°, 60°x15°)
Light output: 8,000 Lux @2m @ 15°

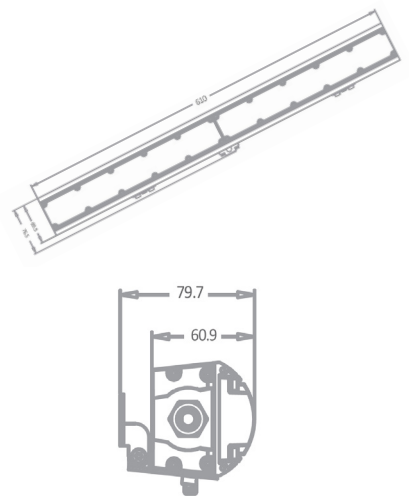
CONTROL & PROGRAMMING Control Protocols: DMX 512, RDM
DMX control channels: 0-100%
Dimmer: 0%-100% 16 Bit
Controllable sections: 1
Color Mixing: Amber+Cool White

ELECTRICAL Input Voltage: AC100-240V, 50/60Hz
Max Power: 75 W
Power Factor: > 0.9
Built-in power supply

CONNECTIONS Power connections: Integrated power and signal cable

PHYSICAL Dimensions: 610x62x84 mm
Net Weight: 2.4 kg
Color: Silver
Housing: Extruded aluminium
IP Rating: 66
Operation temperature: - 40°C~45°C (operating) /-
20°C~45°C (startup)

Dimensions



Luminous Diagram

