



PIXIDOT STRING-OD is an outdoor IP67 rated lightweight string of bright pixels created in customizable versions with predefined quantities and center to center distance. With 6 bright SMD RGB 3535LEDs and clear cover, these string of pixels are ideal for pixel mapping effects on bridges, buildings' facades, stadiums, retail shops and outdoor applications.

SOURCE Light source: 6 SMD RGB 3535 LEDs

OPTICAL SYSTEM Cover: Dome opal diffuser
View angle: 120°

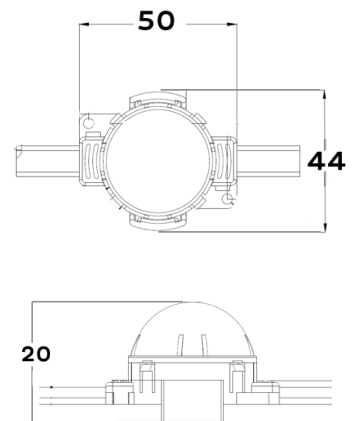
CONTROL & PROGRAMMING Pixels control: 1 pixel per dot
Color: RGB
Control protocols: DMX, 44 FPS
Control channels: 3 CHs per dot
Address setting: Manual

ELECTRICAL Input voltage: 24V
Power consumption: 1.2 watts per dot

CONNECTIONS Power and data connection: 5 pin female and male connection
Cable entry: Side

PHYSICAL Dimensions: 50 x 44 x 20mm
Color: Black
IP rating: 67
Operating temperature: -40°C/50°C

Dimensions



Connection

