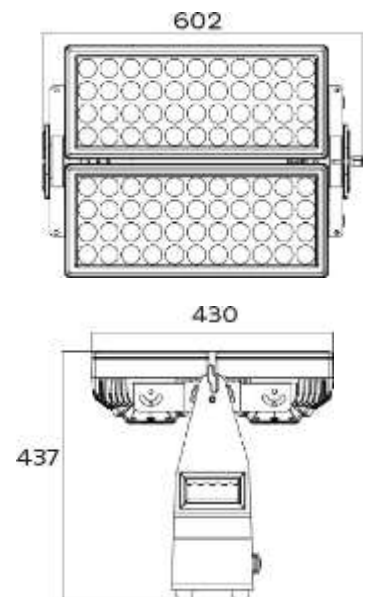




Flash 288 is a powerful IP65 LED wash light powered by 88 x 20 watts RGBW LEDs. In addition to its default long throw beam angle of 20°, it comes packed with a magnetic diffuser filter providing a wide 40° wash for medium throw applications. The powerful light output can also be shaped using the optional two 3-way barn doors. FLASH 288 is equipped with a built-in W-DMX™ wireless DMX receiver by Wireless Solution Sweden.

- SOURCE** : Light source: 88 x 20 watts, RGBW LEDs
LED life expectancy: 50,000 Hrs
CRI <80
- OPTICAL SYSTEM** : Beam angle: 20°
40° with a magnetic diffuser filter
Light output: 146000Lux @ 2m @ 20°
Individual angle rotation adjustment for each head
- DYNAMIC EFFECTS** : Dimmer: 4 selectable dimming curves
Color mixing: RGBW
Strobe effect
Built-in effects
- CONTROL & PROGRAMMING** : Control protocols: DMX, Master-Slave, Auto Run
W-DMX™ by Wireless Solution
Display: TFT displayer with 4 buttons
Control channels: 2, 3, 4, 9, 12 CHs
- ELECTRICAL** : Input voltage: 190-264V/50-60Hz
Power consumption: 1600 watts
Power supply: Auto-ranging electronic switch-mode
- CONNECTIONS** : DMX connections: 3 pin XLR In/Out male and female
Power connections: IP Power In/Out cable
- PHYSICAL SPECIFICATIONS** : Dimensions: 602 x 430 x 437mm
Net weight: 23.5 Kg
Color: Black
Painting: Anti-salt and Anti-UV
Housing: Die-cast Aluminum
IP rating: 65
Operating temperature: -40°C/45°C

Dimensions



Luminous Diagram

